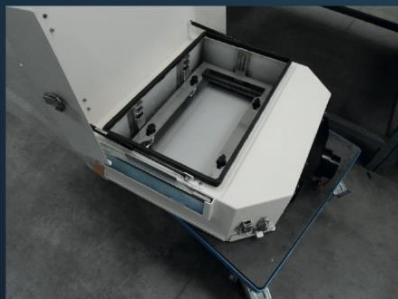
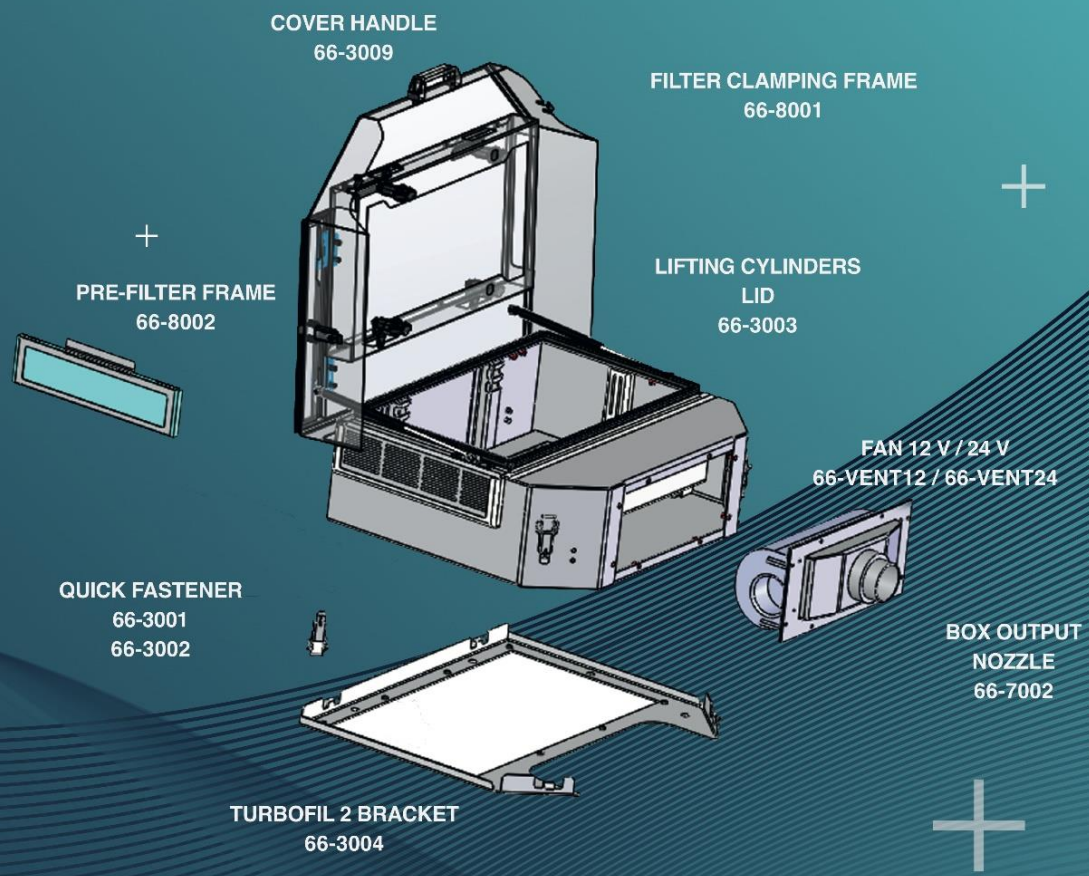


B R O T E C

TURBOFIL 2







TECHNICAL CHARACTERISTICS



Housing :	Stainless steel . 304
Supply voltage :	24Vdc (12Vdc possible)
Start current :	10A
Operating current :	6A
Average air flow :	80m3/h
Outlet diameter :	80mm/100mm
Air flow control :	Blower speed, regulated by the pressure instruction in the cabin.
Sound level :	< 70Db
Weight (empty) :	32kg

C O N T A C T

 271 Rue du champ de courses,
38 780 Pont-Évêque
  +33(0)4 74 20 58 57

 www.brotec-france.fr
 info@brotec-france.fr